

SERVICE MANUAL

COLOR TELEVISION

- This Service Manual is the "Supplement" and replaces "Simple Manual" TV-C202S(PH), (S/M Code No. 09-00B-421-9T2).
- This Service Manual contains information about the difference between TV-C202S(PH) and TV-C202(KER).
If requiring other information, see Service Manual of TV-C202(KER).
(S/M Code No. 09-974-183-1FP).

SPECIFICATIONS

Category

Color television

Broadcasting color system

PAL (B/G, D/K), SECAM (B/G, D/K, K1)

Television color system (Video input)

PAL, SECAM, NTSC_{3.58'}, NTSC_{4.43'}, PAL60

Receivable channel

BAND	CHANNEL
VHF	E2- E12 (WEST EUROPE)
	R1-R12 (EAST EUROPE)
	1-9 (IVORY COAST)
	S1-S20 (OSCAR CABLE CH)
UHF	S21-S23 (HYPER CABLE CH)
	E21-E69 (EUROPE)
	S24-S41 (HYPER CABLE CH)

Aerial Input

75 ohms, unbalanced

Picture Tube

20"

Screen size

404(W) x 480(D) x 303(H)mm
(16 x 19 x 12 in.)

Video Input/Output

1 Vp-p, 75 ohms

Audio Input

0.5 Vrms., 33 kohms more

Audio Output

0.5 Vrms., 2.2 kohms less

Speaker

76 mm(3 in.) round

Operating Voltage

100 – 240 V AC, 50/60 Hz

Power Consumption

85W

Earphone jack

Monaural-mini jack

Operating temperature

5°C – 40°C

Operating humidity

35% – 80%

Dimensions

520(W) x 479.5(D) x 425(H)mm
(20¹/₂ x 19 x 16³/₄ in.)

Weight

18 kg (39.6 lbs.)

- Design and specifications are subject to change without notice.

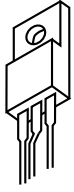
ELECTRICAL MAIN PARTS LIST

REF. NO.	PART NO.	KANRI NO.	DESCRIPTION	REF. NO.	PART NO.	KANRI NO.	DESCRIPTION
IC				C27	87-A12-087-080		CAP,E 1-50 SMG
	86-LB7-622-010		IC,M37221M6-286SP	C28	87-A12-087-080		CAP,E 1-50 SMG
	87-A20-371-080		IC,KA33V	C29	87-A10-090-080		CAP,E 4.7-50 SMG
	87-A20-436-010		IC,LA7565N	C30	87-018-134-080		CAP,TC U 0.01-16 N Y UP050
	87-A21-377-010		IC,S-24C02BDP-1A	C40	87-018-131-080		CAP,TC U 1000P-50 K B UP050
	87-A21-845-080		IC,KIA7042AP	C101	87-A12-087-080		CAP,E 1-50 SMG
	87-070-080-010		IC,TA8759BN	C102	87-A12-072-080		CAP,E 100-25 SMG
	87-027-938-010		IC,TC4053BP	C103	87-A10-207-080		CAP,TC U 0.01-50 K B UP050
	87-070-117-010		IC,AN5265	C104	87-018-119-080		CAP,TC U 100P-50 K B UP050
	87-070-237-010		IC,LA7832	C212	87-A12-087-080		CAP,E 1-50 SMG
	87-A20-517-010		IC,STR-S6707	C213	87-A12-072-080		CAP,E 100-25 SMG
△	87-A30-096-010		P-COUPLER,TLP721F	C214	87-018-134-080		CAP,TC U 0.01-16 N Y UP050
	87-A21-785-010		IC,KIA7812API	C218	87-018-133-080		CAP,TC U 4700P-16 N X UP050
	87-A21-788-010		IC,KIA7809API	C219	87-018-134-080		CAP,TC U 0.01-16 N Y UP050
	87-020-881-080		IC,NJM78L05A	C221	87-018-134-080		CAP,TC U 0.01-16 N Y UP050
	87-A91-538-010		RCR UNIT,SBX1981-72P	C222	87-018-121-080		CAP,TC U 150P-50 K B UP050
TRANSISTOR				C223	87-A12-087-080		CAP,E 1-50 SMG
	87-A30-065-080		TR,2SC2785FE	C225	87-018-119-080		CAP,TC U 100P-50 K B UP050
	87-026-218-080		TR,DTC144ES	C301	87-018-122-080		CAP,TC U 180P-50 K B UP050
	87-A30-121-080		TR,DTC323TS	C302	87-018-122-080		CAP,TC U 180P-50 K B UP050
	87-A30-066-080		TR,2SA1175FE	C303	87-018-122-080		CAP,TC U 180P-50 K B UP050
	87-A30-090-080		FET,2SK2541	C307	87-018-209-080		CAP,TC U 0.1-50 Z F UP050
	84-LB2-699-080		TR,2SC945A(C)-T	C309	87-018-134-080		CAP,TC U 0.01-16 N Y UP050
	87-026-502-080		TR,DTC144TS	C310	87-018-134-080		CAP,TC U 0.01-16 N Y UP050
	89-342-174-510		TR,2SC4217(D/E)	C311	87-018-209-080		CAP,TC U 0.1-50 Z F UP050
	89-334-674-580		TR,2SC3467(D/E)	C312	87-A12-086-080		CAP,E 0.47-50 SMG
	87-A30-095-010		TR,2SD2333	C313	87-018-134-080		CAP,TC U 0.01-16 N Y UP050
	87-A30-114-080		TR,2SD1207TS	C314	87-018-122-080		CAP,TC U 180P-50 K B UP050
	87-A30-041-110		TR,SE115N	C315	87-018-107-080		CAP,TC U 18P-50 J SL UP050
				C316	87-018-131-080		CAP,TC U 1000P-50 K B UP050
DIODE				C320	87-010-529-080		CAP,E 1-50 M BP
	87-A40-291-080		DIODE,1N4148M(CPT)	C325	87-A12-087-080		CAP,E 1-50 SMG
	87-A40-757-080		ZENER,UZ7.5BSC	C327	87-016-251-080		CAP,E 220-16 M SMG
	87-A40-001-080		ZENER,MTZJ12C	C328	87-018-195-080		CAP,TC U 1200P-16 N X UP050
	87-A40-235-080		ZENER,MTZJ9.1C	C329	87-A12-087-080		CAP,E 1-50 SMG
	87-A40-348-080		ZENER,MTZJ3.3A	C330	87-018-124-080		CAP,TC U 270P-50 K B UP050
	87-070-274-080		DIODE,1N4003 SEM	C332	87-A12-089-080		CAP,E 3.3-50 SMG
	87-A40-286-080		DIODE,RGP10JE-5025	C335	87-A10-918-080		CAP,E 100-16 SMG
△	87-A40-371-010		DIODE,D3SBA60-4101	C336	87-018-134-080		CAP,TC U 0.01-16 N Y UP050
△	87-070-111-060		DIODE,RU30A	C339	87-018-116-080		CAP,TC U 56P-50 J SL UP050
	87-017-354-080		DIODE,RU3	C340	87-A12-086-080		CAP,E 0.47-50 SMG
				C341	87-A12-086-080		CAP,E 0.47-50 SMG
				C342	87-A12-086-080		CAP,E 0.47-50 SMG
				C344	87-A12-087-080		CAP,E 1-50 SMG
				C347	87-A12-090-080		CAP,E 4.7-50 SMG
MAIN C.B				C348	87-018-134-080		CAP,TC U 0.01-16 N Y UP050
	BT301 86-LB7-691-010		CONN ASSY,5P TN-3	C349	87-018-134-080		CAP,TC U 0.01-16 N Y UP050
	BT801 84-LB3-690-110		CONN ASSY,4P TN-1	C350	87-018-123-080		CAP,TC U 220P-50 J B UP050
	C1 87-018-109-080		CAP,TC U 22P-50 J SL UP050	C351	87-A12-087-080		CAP,E 1-50 SMG
	C2 87-018-109-080		CAP,TC U 22P-50 J SL UP050	C352	87-A12-087-080		CAP,E 1-50 SMG
	C3 87-018-109-080		CAP,TC U 22P-50 J SL UP050	C354	87-018-134-080		CAP,TC U 0.01-16 N Y UP050
	C4 87-018-109-080		CAP,TC U 22P-50 J SL UP050	C356	87-018-122-080		CAP,TC U 180P-50 K B UP050
	C5 87-018-109-080		CAP,TC U 22P-50 J SL UP050	C357	87-A12-091-080		CAP,E 10-50 SMG
	C6 87-018-109-080		CAP,TC U 22P-50 J SL UP050	C358	87-A12-066-080		CAP,E 47-16 SMG
	C7 87-018-127-080		CAP,TC U 470P-50 K B UP050	C359	87-018-134-080		CAP,TC U 0.01-16 N Y UP050
	C8 87-018-123-080		CAP,TC U 220P-50 K B UP050	C360	87-A12-091-080		CAP,E 10-50 SMG
	C9 87-018-134-080		CAP,TC U 0.01-16 N Y UP050	C361	87-A12-087-080		CAP,E 1-50 SMG
	C10 87-016-088-080		CAP,E 220-6.3 M SR	C363	87-016-459-080		CAP,E 470-10 M SMG
	C11 87-A12-091-080		CAP,E 10-50 SMG	C364	87-A12-091-080		CAP,E 10-50 SMG
	C12 87-018-119-080		CAP,TC U 100P-50 K B UP050	C370	87-010-379-080		CAP,E 22-16 11L SME
	C13 87-A12-083-080		CAP,E 0.1-50 SMG	C371	87-A12-090-080		CAP,E 4.7-50 SMG
	C14 87-018-115-080		CAP,TC U 47P-50 J SL UP050	C372	87-A12-090-080		CAP,E 4.7-50 SMG
	C15 87-018-119-080		CAP,TC U 100P-50 K B UP050	C373	87-018-115-080		CAP,TC U 47P-50 J SL UP050
	C16 87-018-131-080		CAP,TC U 1000P-50 K B UP050	C374	87-018-134-080		CAP,TC U 0.01-16 N Y UP050
	C20 87-018-131-080		CAP,TC U 1000P-50 K B UP050	C375	87-018-134-080		CAP,TC U 0.01-16 N Y UP050
	C21 87-018-125-080		CAP,TC U 330P-50 K B	C377	87-A12-071-080		CAP,E 47-25 SMG
	C23 87-A12-087-080		CAP,E 1-50 SMG	C378	87-A10-087-080		CAP,E 1-50 SMG
	C25 87-A12-090-080		CAP,E 4.7-50 SMG	C379	87-A12-090-080		CAP,E 4.7-50 SMG
	C26 87-A12-090-080		CAP,E 4.7-50 SMG	C381	87-A12-091-080		CAP,E 10-50 SMG
				C382	87-A12-091-080		CAP,E 10-50 SMG

REF. NO.	PART NO.	KANRI NO.	DESCRIPTION	REF. NO.	PART NO.	KANRI NO.	DESCRIPTION
C399	87-A10-211-010		CAP,CER 0.1-50 M	FL305	84-LB3-622-010		FLTR,BELL 2 S-10E
C401	87-A12-068-090		CAP,E 470-16 SMG	HL5	84-LB3-216-010		HLDR,LED
C402	87-A12-086-080		CAP,E 0.47-50 SMG	△ ICP801	87-001-132-080		PROTECTOR,IC ICP-N38
C403	87-A10-831-090		CAP,E 1000-25 M SMG	J401	87-A60-323-010		JACK,PIN 4P Y-BLK
C404	87-A12-072-080		CAP,E 100-25 SMG	J402	87-A60-329-110		JACK,3.5 BLK MONO W/SW
C405	87-A12-090-080		CAP,E 4.7-50 SMG	J403	87-A60-370-010		JACK,PIN 2P BLK-Y W/SW
C406	87-A10-210-010		CAP,CER 0.047-50 M	L101	87-005-610-080		COIL,47UH J LAV35
C407	87-A11-148-080		CAP,TC U 0.1-50 Z F	L206	87-005-645-080		COIL,6.8UH K LF5.0S
C408	87-A10-730-080		CAP,E 1000-16 SMG	L207	87-005-684-080		COIL,10UH J LF5.0S
C429	87-A12-091-080		CAP,E 10-50 SMG	L210	86-LB7-656-010		COIL,VCO2 38.0MHZ LA7565N
C431	87-A12-087-080		CAP,E 1-50 SMG	L221	87-005-684-080		COIL,10UH J LF5.0S
C501	87-018-127-080		CAP,TC U 470P-50 K B UP050	L303	82-JT2-608-010		FLTR,DL PHASE
C502	87-018-134-080		CAP,TC U 0.01-16 N Y UP050	L304	87-005-646-080		COIL,8.2UH K LF5.0S
C503	87-A12-087-080		CAP,E 1-50 SMG	L306	87-005-611-080		COIL,56UH J LAV35
C506	87-A10-408-080		CAP,CER 560P-500 K YP	L308	87-005-688-080		COIL,22UH J LF5.0S
C507	87-012-357-010		CAP,CER 47P-500 J CH DD10	L309	87-005-693-080		COIL,56UH J LF5.0S
C508	87-018-131-080		CAP,TC U 1000P-50 K B UP050	L310	87-005-602-080		COIL,10UH J LAV35
C509	87-A12-095-080		CAP,E 100-50 SMG	L601	84-LB2-621-010		COIL,WLH-605 LIN
C510	87-A12-080-080		CAP,E 220-35 SMG	L801	87-005-770-080		COIL,47UH K #7607
C513	87-A10-831-090		CAP,E 1000-25 M SMG	△ L802	87-A90-586-010		FLTR,LINE HL-28-153
C514	87-A12-087-080		CAP,E 1-50 SMG	△ PR801	87-A90-090-080		PROTECTOR,1.5A 4.91 SERIES 60V
C603	87-010-976-080		CAP,CER 1000P-500 K B DD10	△ PT801	86-LB4-655-010		PT,KER S/W TRANS ("20")
C605	87-016-481-010		CAP,M/P 0.47-200 J DHS	R110	87-A00-164-090		RES,M/F 12K-2W J RSF(S)
C606	87-016-357-010		CAP,M/P 0.01-1.25K PH	R326	87-A00-067-090		RES,M/F 6.8K-3W J
C607	87-A10-860-090		CAP,CER 470P-2 K K R	R423	87-025-569-010		RES,M/F 47-1/2 WJ
C609	87-010-709-080		CAP,0.22-50M BP SM	△ R436	87-A00-284-090		RES,FUSE 8.2-2W J R TYPE
△ C620	87-016-220-090		CAP,E 47-160 M TWSS	R608	87-A00-185-010		RES,CEM 2.2K-5W J Z Y
△ C801	87-A10-688-090		CAP,M/P 0.22-275 K (B81133)	△ R616	87-A00-049-060		RES,FUSE 2.2K-1/2W J R-TYPE
△ C802	87-A10-688-090		CAP,M/P 0.22-275 K (B81133)	R801	87-A00-555-010		RES,CEM 2.2-10W J MPC722
C807	87-A12-091-080		CAP,E 10-50 SMG	R802	87-A00-171-090		RES,M/F 82K-3W J
△ C809	87-016-515-080		CAP,CER 1000P-1K K B DE	R806	87-A00-208-090		RES,M/F 22-1/2W J RSF(S)
△ C810	87-A10-647-090		CAP,E 200-400 SMH	R811	87-A00-283-090		RES,M/F 0.27-2W J RSF(S)
△ C811	87-A12-067-080		CAP,E 330-16 SMG	R812	87-A00-224-090		RES,SD8.2M-1W J CE
△ C812	87-A10-519-010		CAP,CER 4700P-4K M E K X	△ R818	87-A00-419-090		RES,FUSE 1-2W J ERQ2Z
C813	87-A10-469-080		CAP,CER 2200P-500 K B DD10	△ R821	87-A00-052-060		RES,FUSE 3.9-1W J R-TYPE
C814	87-A10-238-010		CAP,M/P 1000P-1.6 K J DKR	△ R828	87-A00-271-080		RES,FUSE 100-1/8 W RF16S
C818	87-A12-058-080		CAP,E 470-6.3 SMG	△ R829	87-A00-272-080		RES,FUSE 1.8K-1/4W RF25S
C820	87-010-976-080		CAP,CER 1000P-500 K B DD10	SF201	87-A90-337-010		FLTR,SAW OFW-K2959M
C821	87-010-389-090		CAP,E 2200-25 SME	SFR1	87-024-438-080		SFR,220K H RH0638MC
C825	87-010-389-090		CAP,E 2200-25 M SME	SFR2	87-024-357-080		SFR,100K H EVN DJAA03
C830	87-012-386-080		CAP,CER 470P-2K K BN DE	SFR201	87-024-354-080		SFR,22K H EVN DJAA03
C831	87-016-373-080		CAP,E 10-250 SME	SFR301	87-024-349-080		SFR,1K H EVN DJAA03
C832	87-010-397-090		CAP,E 1000-35 M SME	SFR302	87-024-349-080		SFR,1K H EVN DJAA03
C833	87-010-976-080		CAP,CER 1000P-500 K B DD10	SFR501	87-024-357-080		SFR,100K H EVN DJAA03
C835	87-A12-073-080		CAP,E 220-25 SMG	SW2	87-A90-712-080		SW,TACT EVQ11L07K
C837	87-A10-091-080		CAP,E 10-50 SMG	SW3	87-A90-712-080		SW,TACT EVQ11L07K
C838	87-A10-832-010		CAP,CER 1000P-1K K R LONG	SW4	87-A90-712-080		SW,TACT EVQ11L07K
C839	87-A10-730-080		CAP,E 1000-16 SMG	SW5	87-A90-712-080		SW,TACT EVQ11L07K
C840	87-A10-731-090		CAP,E 220-160 M KMF	SW6	87-A90-712-080		SW,TACT EVQ11L07K
CN401	86-LBR-690-210		CONN ASSY,2P SP MONO	SW501	87-A90-567-010		SW,LVR 4-1-3 EVQRAAL10
CN402	86-LB4-692-210		CONN ASSY,2P SP RIGHT	△ SW801	87-A91-410-010		SW,AC PUSH 1-1-1 ESB92SH1B
△ CN601	87-099-675-010		CONN,5P V V	△ T601	84-LB3-651-010		TRANS,HD MS-101N
△ CN801	82-481-649-010		CONN,2P V VT-50P	△ T602	88-JBJ-607-010		FBT,HFL3601B
△ CN802	87-099-674-010		CONN,2P V VA	△ TH801	87-A90-830-010		THMS,PTH451C463BF9R0Q270
D5	87-070-110-010		LED,SLP-181B-51 RED	TU101	87-A91-904-010		TU UNIT, TUAWF4Eg-761
DL301	84-LB3-638-010		DL,ADL-CP144E	X1	87-030-212-080		VIB,CER 8.000MHZ CST
△ DL302	87-A90-370-010		DELAY LINE,ELB10Z334	X301	87-A70-054-080		VIB,XTAL 4.43MHZ AQC-1018
FB01	87-035-458-010		FUSE,4A 250V T 218	X302	87-030-327-010		VIB,CER 503.500KHZ CSB F30
FB1	87-003-223-080		F-BEAD,BL02RN2	X303	87-A70-007-080		VIB,XTAL 3.58MHZ AQC-1001
FB601	87-003-223-080		F-BEAD,BL02RN2				
FB802	87-003-223-080		F-BEAD,BL02RN2	NK C.B			
△ FB803	87-003-223-080		F-BEAD,BL02RN2				
△ FC801	87-033-213-080		FUSE CLAMP,PFC5000	△ C551	87-010-976-080		CAP,CER 1000P-500 K B DD10
△ FC802	87-033-213-080		FUSE CLAMP,PFC5000	△ C552	87-016-037-060		CAP,CER 1000P-2K K B DE
FL203	87-A90-223-080		FLTR, SFSH6.0MCB	C553	87-018-125-080		CAP,TC U 330P-50 K B UP050
FL205	87-A90-224-080		FLTR,TPS6.0MB	C554	87-018-126-080		CAP,TC U 390P-50 K B UP050
FL206	87-008-577-080		FLTR,TPS5.5MB2	C555	87-018-129-080		CAP,TC U 680P-50 K B UP050
FL301	84-LB3-668-010		FLTR,SECAM DET	C557	87-A12-091-080		CAP,E 10-50 SMG
FL302	84-LB3-668-010		FLTR,SECAM DET	CN551	87-049-469-010		CONN,4P V WHT EH
FL304	82-JT2-611-010		FLTR, SECAM REF	CN552	87-009-033-010		CONN,5P V WHT PH

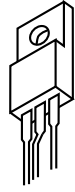
REF. NO.	PART NO.	KANRI NO.	DESCRIPTION
CN553	87-099-672-010		CONN,1P V LV GRA
L551	87-005-614-080		COIL,100UH J LAV35
△ △ △ R551	87-A00-041-060		RES,M/F 12K-2W J L-FORMING
R552	87-A00-041-060		RES,M/F 12K-2W J L-FORMING
△ △ R553	87-A00-041-060		RES,M/F 12K-2W J L-FORMING
SFR551	87-024-522-080		SFR,4.7K V RH063LC
SFR552	87-024-522-080		SFR,4.7K V RH063LC
SFR553	87-024-522-080		SFR,4.7K V RH063LC
SFR554	87-024-519-080		SFR,470 V RH063LC
SFR555	87-024-519-080		SFR,470 V RH063LC
S0551	86-LBR-670-010		SOCKET,CRT 9P HPS1521

TRANSISTOR ILLUSTRATION



B C E

2SD2333



1 2 3

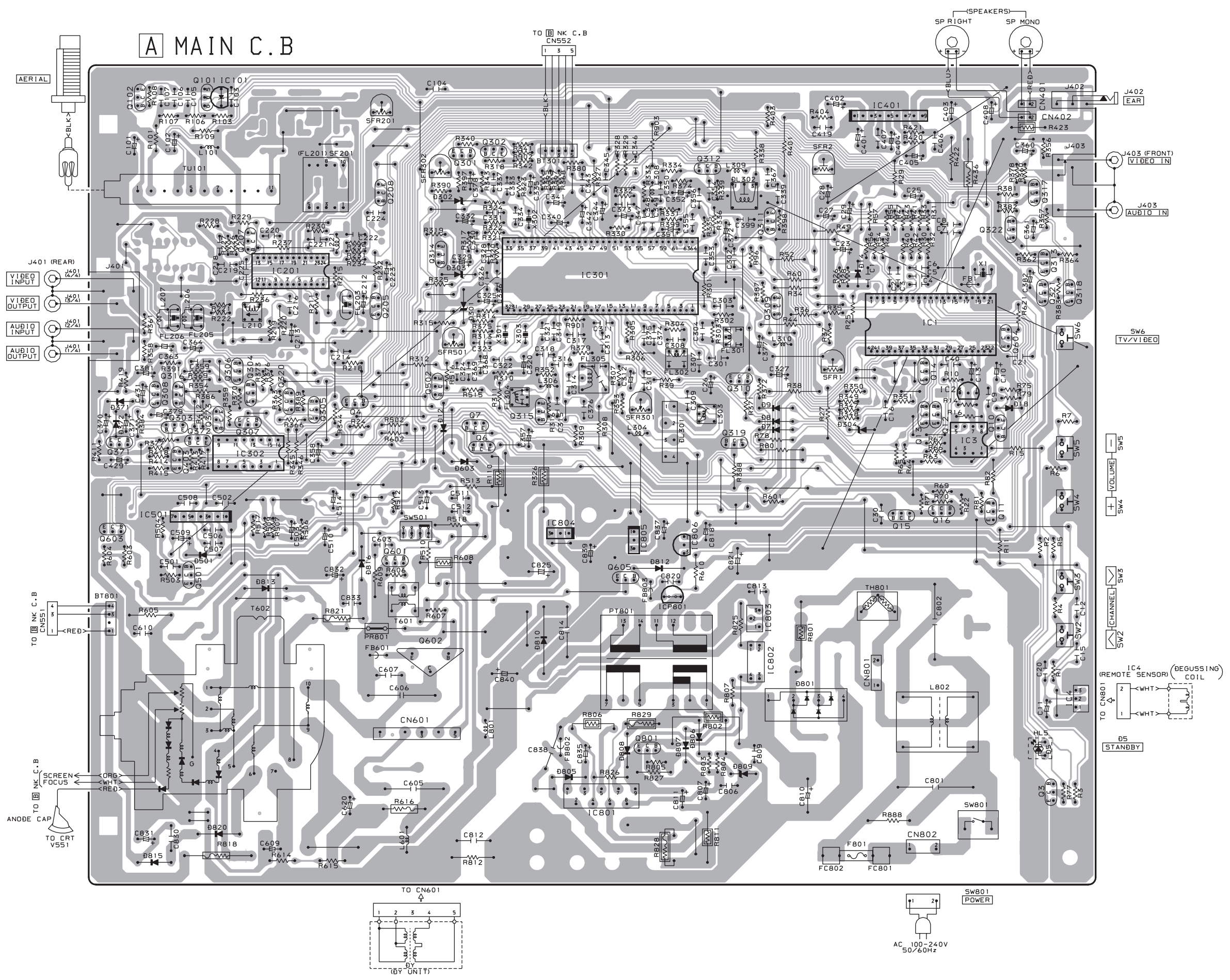
SE115N

1. VOUT SENSE
2. COLLECTOR
3. GROUND

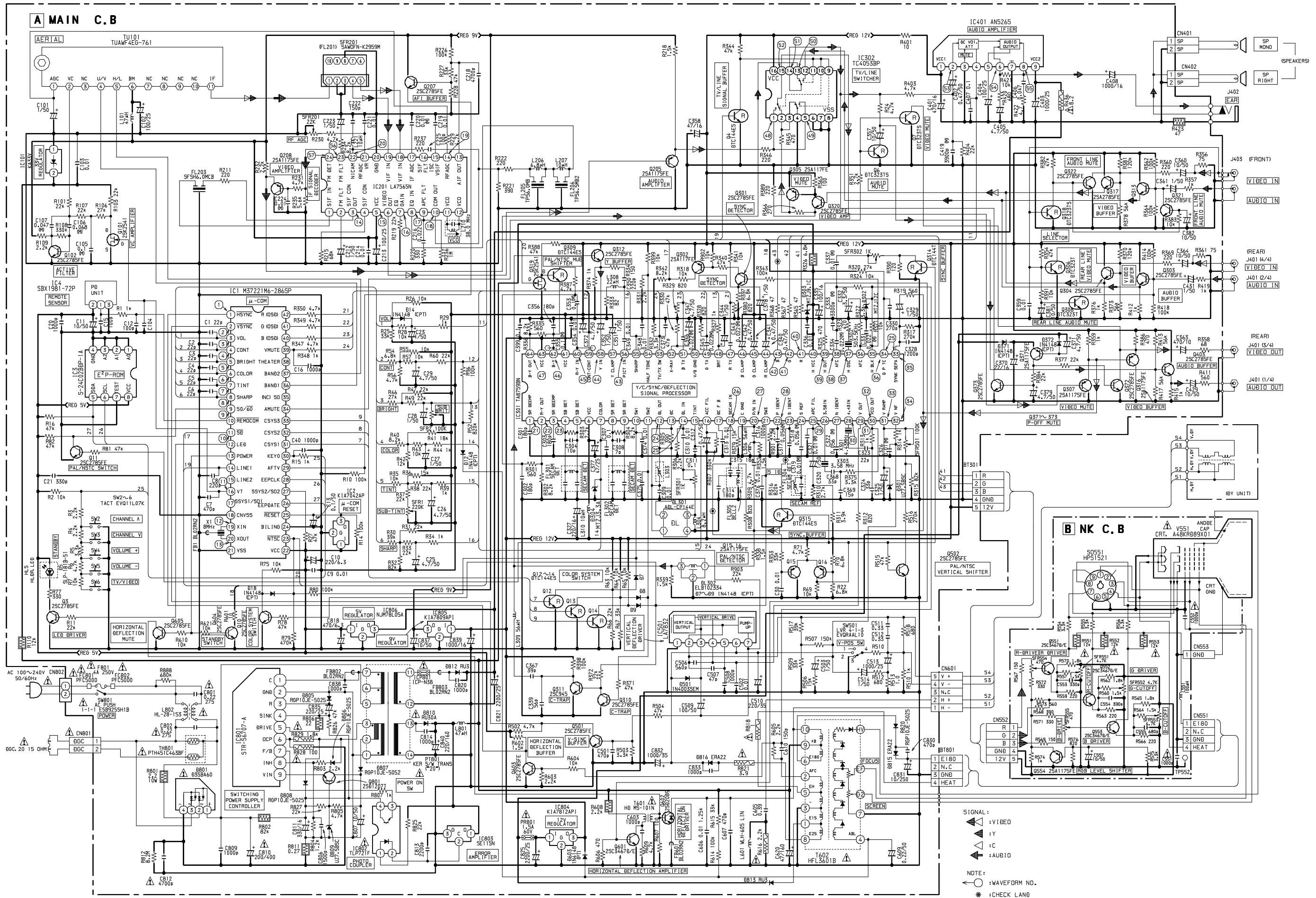
WIRING - 1 (MAIN)

32 31 30 29 28 27 26 25 24 23 22 21 20 19 18 17 16 15 14 13 12 11 10 9 8 7 6 5 4 3 2 1

A
B
C
D
E
F
G
H
I
J
K
L
M
N
O
P
Q
R
S
T
U



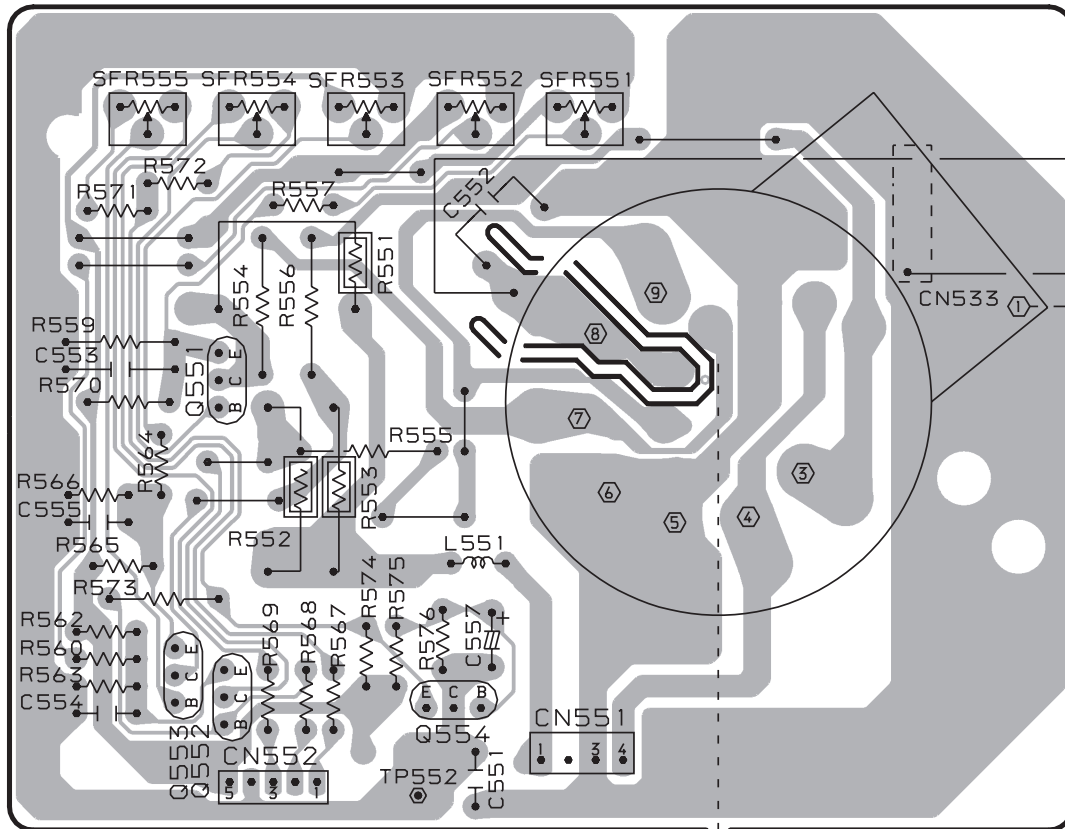
SCHEMATIC DIAGRAM (MAIN / NK)



WIRING - 2 (NK)

15	14	13	12	11	10	9	8	7	6	5	4	3	2	1
----	----	----	----	----	----	---	---	---	---	---	---	---	---	---

B NK C.B



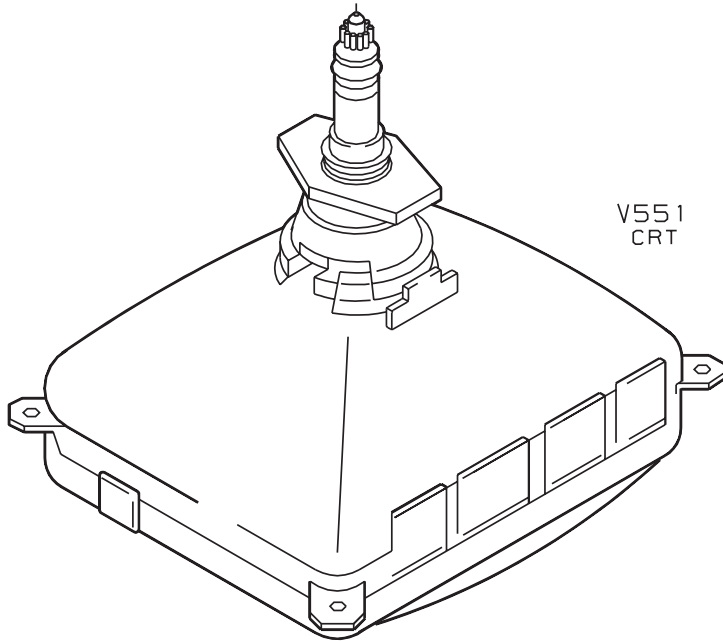
<ORG> SCREEN
(TO **A** MAIN C.B)

<BLK> TO
CRT
GND

<WHT> FOCUS
TO **A** MAIN C.B

TO **A** MAIN C.B
BT301

TO **A** MAIN C.B
BT801



A

B

C

D

E

F

G

H

I

J

K

L

M

N

O

P

Q

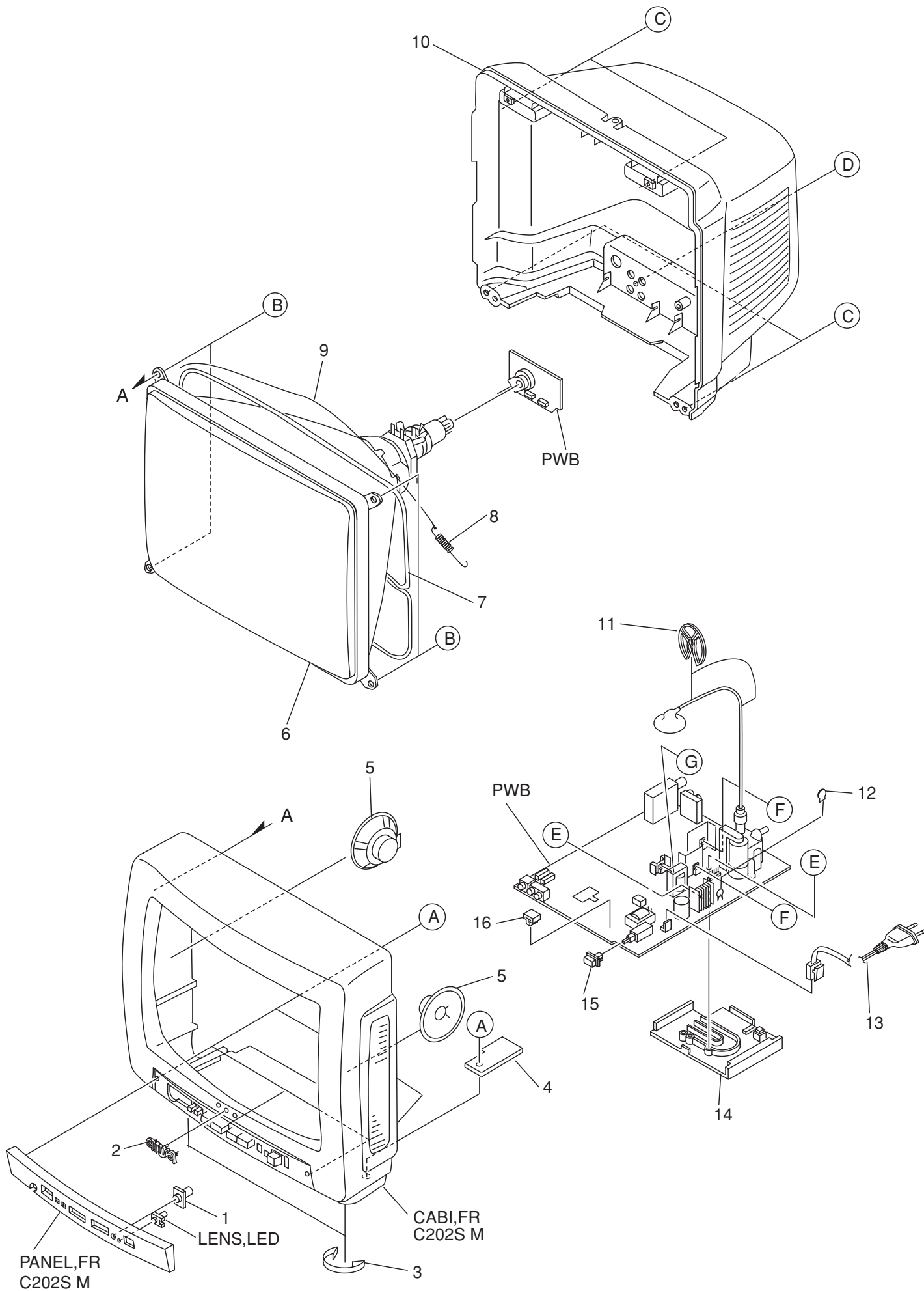
R

S

T

U

MECHANICAL EXPLODED VIEW 1 / 1



MECHANICAL PARTS LIST 1 / 1

REF. NO.	PART NO.	KANRI NO.	DESCRIPTION
1	86-LB4-005-010		LENS,RC
2	87-054-086-010		BADGE,AIWA 52.5
3	8Z-JBW-007-010		PLATE,FOOT ST
4	86-LBU-201-010		HLLDR,AC CORD
5	84-LB3-641-010		SP,F DIA 7.6
△	6	86-LB4-610-010	CRT,A48KRD89X01
△	7	87-JBD-625-010	DGC,20 15 OHM
	8	84-LB3-205-010	SPR-E,EARTH
	9	84-LB2-633-210	CONN ASSY,1P CRT GND
	10	86-LB4-012-110	CABI,REAR KE
	11	87-A90-332-010	HLLDR,SF-2001 HV CABLE
	12	87-A90-667-010	COVER,CAP 851640-23
△	13	86-LB7-694-010	AC CORD SET,KE2 BLK
	14	86-LB7-212-010	HLLDR,FBT
	15	86-LB4-035-010	BTN,POWER ST M
	16	84-LB3-216-010	HLLDR,LED
A	87-067-758-010		BVT2+3-12 W/O SLOT
B	86-LBB-206-010		S-SCREW,ASSY TV5-40 W20
C	87-067-844-010		BVT2+4-16 BLK
D	87-067-761-010		TAPPING SCREW, BVT2+3-10
E	87-067-680-010		BVI T3+3-10
F	87-067-579-010		TAPPING SCREW, BVT2+3-8
G	87-067-584-010		TAPPING SCREW, BVT2+3-6

COLOR NAME TABLE

Basic color symbol	Color	Basic color symbol	Color	Basic color symbol	Color
B	Black	C	Cream	D	Orange
G	Green	H	Gray	L	Blue
LT	Transparent Blue	N	Gold	P	Pink
R	Red	S	Silver	ST	Titan Silver
T	Brown	V	Violet	W	White
WT	Transparent White	Y	Yellow	YT	Transparent Yellow
LM	Metallic Blue	LL	Light Blue	GT	Transparent Green
LD	Dark Blue	DT	Transparent Orange	GM	Metallic Green
YM	Metallic Yellow	DM	Metallic Orange	PT	Transparent Pink
LA	Aqua Blue	GL	Light Green		

ACCESSORIES / PACKAGE LIST

REF. NO.	PART NO.	KANRI NO.	DESCRIPTION
1	86-LB4-903-010		IB,PH (E) C202S
2	86-LB4-951-010		RC UNIT,RC-6VT06
3	8Z-JB6-610-010		ANT ASSY,ROD TV 5 SEC (PAL)PT C

アイワ株式会社 〒110-8710 東京都台東区池之端1-2-11 ☎03(3827)3111 (代表)
AIWA CO.,LTD. 2-11, IKENOHATA 1-CHOME, TAITO-KU, TOKYO 110, JAPAN TEL:03 (3827) 3111